

# Road Trip USA!

## Welcome to the USA

The United States of America (US or USA) is a country on the continent of North America and is made up of 50 states. 48 states are joined together on the mainland, Alaska is found to the north-west of Canada and Hawaii is an island state in the Pacific Ocean. The capital city of the USA is Washington DC, and each state has a capital. The USA has a wide range of environments and a diverse population, including Native Americans.

## New York

New York is a state in the north-eastern area of the USA and shares a border with Canada. Its capital is Albany. New York state has a varied landscape that includes three mountain ranges, many rivers, plains and lakes. The climate can experience extremes from  $-10^{\circ}\text{C}$  in the winter, to warmer temperatures of  $25\text{--}30^{\circ}\text{C}$  in the summer.

## New York City

New York City was the former capital of the USA and is in the south-east of New York state. It is made up of the five boroughs of Manhattan, Brooklyn, the Bronx, Queens and Staten Island. People from around the world visit New York City to experience the rich culture and enjoy its famous landmarks, such as Times Square, Central Park and the Statue of Liberty.



New York City skyline

## Physical features



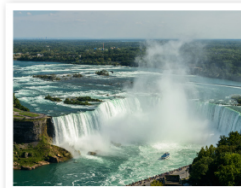
Grand Canyon



Old Faithful geyser



Monument Valley



Niagara Falls

## Human features



Statue of Liberty



Mount Rushmore



Hoover Dam



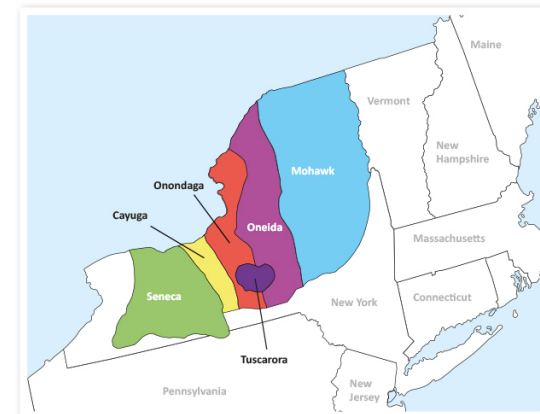
Golden Gate Bridge

## Native Americans

Native Americans are the indigenous people of the USA. The Native American population began to decline when European explorers discovered the USA and created colonies. Many Native Americans lost their lives due to the spread of disease or through wars with Europeans. Many Native Americans were forced to move onto reservations as the European colonies grew in number. More recently, the US government has done more to protect the rights, culture and traditions of Native Americans.

## The Iroquois

The Iroquois are a tribe of Native American people who have inhabited Ontario in Canada and parts of northern New York state for more than 4000 years. The Iroquois people originally lived near lakes and streams that provided water for drinking, fishing and a means of transportation. Today, the Iroquois are often referred to as the Haudenosaunee or Six Nations and are made up of a group that includes the Mohawk, Seneca, Oneida, Onondaga, Tuscarora and Cayuga tribes.



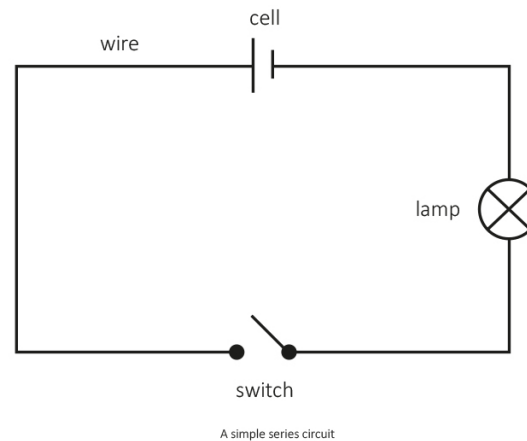
Iroquois Six Nations c1720 map

## Iconic people from the USA

|                     |   |
|---------------------|---|
| <b>1732–1799</b>    | <b>George Washington</b><br>First President of the USA                  |
| <b>1811–1896</b>    | <b>Harriet Beecher Stowe</b><br>Author and anti-slavery activist        |
| <b>1847–1931</b>    | <b>Thomas Edison</b><br>Inventor and businessman                        |
| <b>1863–1947</b>    | <b>Henry Ford</b><br>Founder of the Ford Motor Company                  |
| <b>1882–1945</b>    | <b>Franklin D Roosevelt</b><br>Longest serving US President             |
| <b>1895–1948</b>    | <b>George Herman 'Babe' Ruth</b><br>Professional US baseball player     |
| <b>1897–1939</b>    | <b>Amelia Earhart</b><br>First female pilot to fly across the Atlantic  |
| <b>1901–1966</b>    | <b>Walt Disney</b><br>Animator, voice actor and film producer           |
| <b>1901–1971</b>    | <b>Louis Armstrong</b><br>Trumpeter, composer and jazz singer           |
| <b>1913–2005</b>    | <b>Rosa Parks</b><br>Civil rights activist                              |
| <b>1926–1962</b>    | <b>Marilyn Monroe</b><br>Actress, model and singer                      |
| <b>1929–1968</b>    | <b>Martin Luther King Jr</b><br>Civil rights activist                   |
| <b>1930–2012</b>    | <b>Neil Armstrong</b><br>Astronaut and aeronautical engineer            |
| <b>1935–1977</b>    | <b>Elvis Presley</b><br>Singer and actor                                |
| <b>1942–2016</b>    | <b>Muhammad Ali</b><br>Professional boxer                               |
| <b>1958–present</b> | <b>Madonna Ciccone</b><br>Singer, songwriter, actress and businesswoman |

## Electricity

Electricity is a form of energy that is used to power many household appliances including kettles, toasters, televisions and computers. An electrical circuit is a loop through which electricity flows. A simple circuit is made up of a cell that provides electricity, wires through which the electric current can pass and a lamp that lights up when electricity flows through it. Electricity will only flow around the circuit when it is complete, so any breaks in the circuit will stop the flow of electricity.



## Electrical conductors and insulators

Materials that allow electricity to pass through them are called electrical conductors. These include copper, aluminium, gold and silver. Materials that do not allow electricity to flow through them are called electrical insulators. These include glass, air, plastic and wood.

## Glossary

|                         |  |
|-------------------------|--|
| <b>borough</b>          | A town or village that governs itself.   |
| <b>capital</b>          | A town or city where the government of the country is based.                                     |
| <b>civil right</b>      | A right that has been given to a person by the government's laws.                                |
| <b>climate</b>          | The typical weather for an area, region or country.  |
| <b>colony</b>           | An area controlled by a powerful country that is often far away.                                 |
| <b>indigenous</b>       | Occurring naturally or originating in a particular place.  |
| <b>landmark</b>         | A landscape feature that is easily seen and recognised from a distance.                          |
| <b>Native American</b>  | A member of one of the groups of people who were living in America before the Europeans arrived. |
| <b>physical feature</b> | An item on a landscape that has occurred naturally.  |
| <b>president</b>        | A person who has the highest position in a country that does not have a king or queen.           |
| <b>reservation</b>      | An area of land managed by a Native American tribe.  |
| <b>state</b>            | A part of a large country that has its own government.   |
| <b>tribe</b>            | A group of people who live together and share beliefs, customs and language.                     |